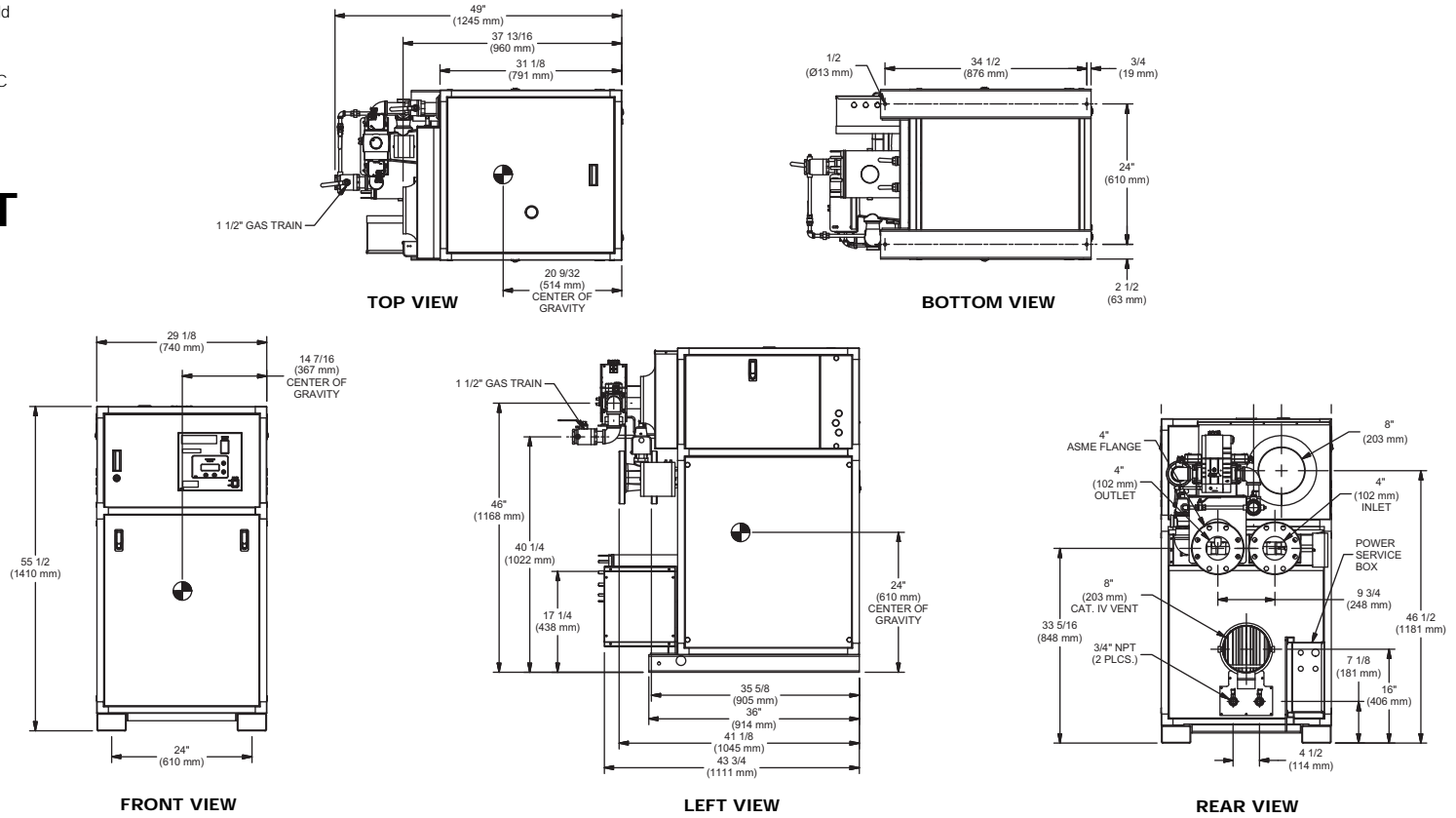


**NOTE:** Dimensions are approximate and should not be used to "rough-in" equipment.

\* Add circulator amps.

\*\*For incoming gas pressures lower than 3.5" WC natural, consult factory.

# INDOOR UNIT



RSUB 83 REV. B

## AGA CERTIFIED RATINGS & CAPACITIES

<b>Fuel Type</b>	Natural Gas	<b>Boiler FLA</b>	10.5" @ 230V NEC
<b>Input BTU/hr.</b>	2,500,000 / 733 kW	<b>Min. Gas Pressure Required</b>	3.5" WC**
<b>Output BTU/hr.</b>	2,147,500 / 629 kW	<b>Max. Gas Pressure Allowed</b>	14" WC
<b>Electrical Requirements</b>	(L1, L2, NEU, GND) 208-240 VAC/1 ph/60 hz	<b>Operating Weight</b>	1,069 lbs. / 485 kgs.

## TEMPERATURE RISE / PRESSURE DROP

20°F / 11.1°C		25°F / 13.9°C		30°F / 16.7°C		35°F / 19.4°C									
Flow Rate	Pressure Drop	Flow Rate	Pressure Drop	Flow Rate	Pressure Drop	Flow Rate	Pressure Drop								
GPM	L/s	Ft	kPa	GPM	L/s	Ft	kPa	GPM	L/s	Ft	kPa				
217.5	13.7	10.05	29.6	174.0	11.0	6.45	19.0	145.0	9.1	3.71	10.9	124.3	7.8	2.79	8.2

## BOILER TRIM & CONTROLS

<b>Main Gas Valve Body</b>	Dungs MBC 2500	<b>High Limit (Manual Reset)</b>	Jumo
<b>Firing Valve</b>	Honeywell B200T1066 1-1/2"	<b>High Limit (Auto Reset)</b>	Jumo
<b>Main Ball Valve</b>	1-1/2"	<b>Blocked Flue Switch</b>	HUBA
<b>Manual Pilot Valve</b>	1/4" Honeywell B528	<b>Air Switch</b>	HUBA
<b>Solenoid Valve w/Reg</b>	CV100	<b>Blower Motor</b>	American Fan 3 HP - FLA 8
<b>Ignition Control</b>	Honeywell RM7895C	<b>Relief Valve - MB</b>	1" x 1-1/4" set @ 50 psi
<b>Operating Control</b>	HeatNet™	<b>Relief Valve - MW</b>	3/4" x 3/4" set @ 125 psi
		<b>Flow Switch</b>	ITT FS8W

## RECOVERY CAPACITY

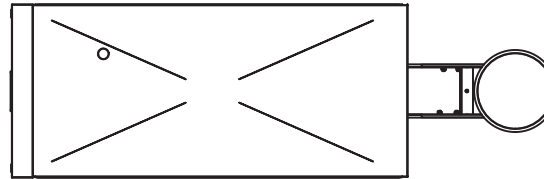
40°F	22°C	60°F	33°C	80°F	44°C	100°F	56°C	120°F	67°C	140°F	78°C
6,445	24,397	4,297	16,265	3,223	12,199	2,578	9,759	2,148	8,132	1,841	6,971

## ASME

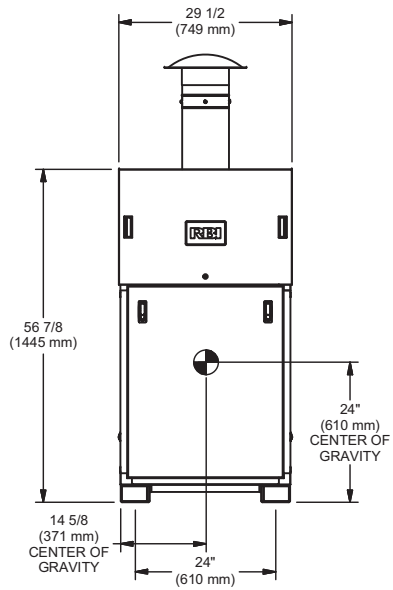
<b>ASME Sect IV Htg Surface</b>	267.5 Sq. Ft. / 24.85 Sq. M.	<b>Design Data</b>	Max. 160 psig & 250°F
<b>Water Volume</b>	12.1 gal / 45.80 l (liters)		

<b>REP FIRM</b>	_____	<b>FUTERA XLF 2500</b>
<b>SUBMITTED BY</b>	_____	
<b>JOB NAME</b>	_____	
<b>ARCHITECT</b>	_____	
<b>ENGINEER</b>	_____	
<b>CONTRACTOR</b>	_____	<b>Category II or Category IV Appliance</b>
<b>DATE</b>	_____	(see Installation and Operation Manual for venting information)
		<b>RBI</b> ® A Division of Mestek, Inc. Westfield, MA 01085 (413) 568-9571

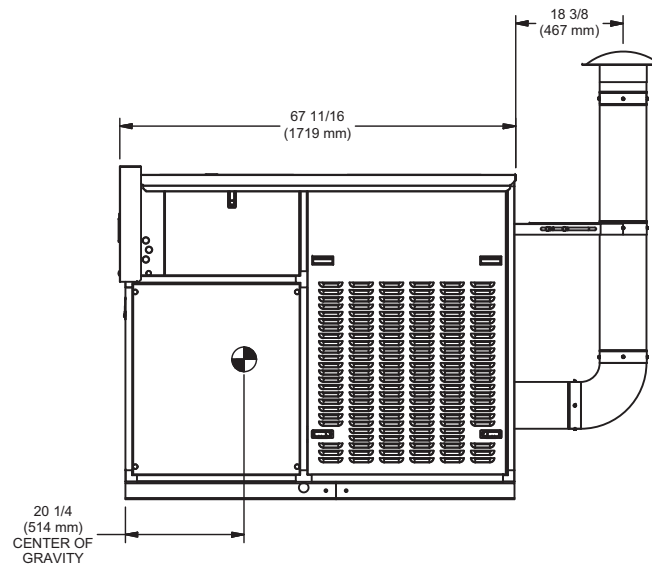
# OUTDOOR UNIT



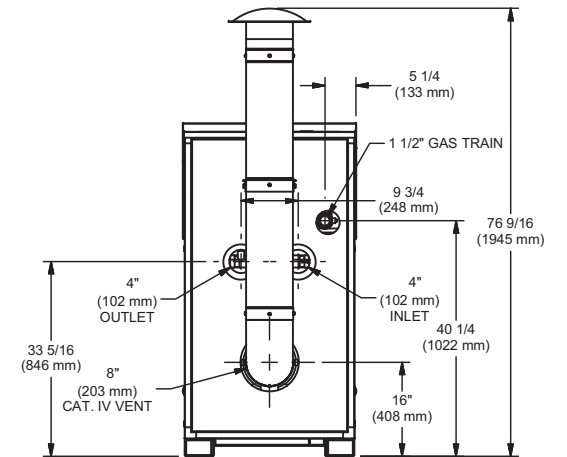
TOP VIEW



FRONT VIEW



SIDE VIEW



BACK VIEW