

CODE OPTIONS

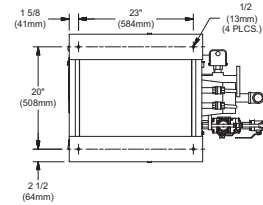
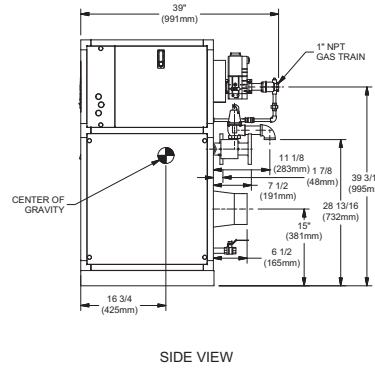
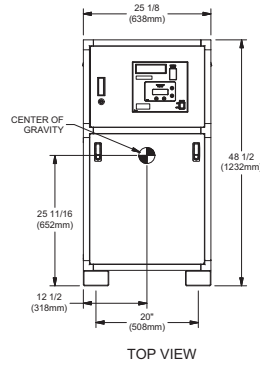
CSD-1	Manual Reset LWCO
Kentucky	200°F Maximum Operating Control and High Limit

NOTE: Dimensions are approximate and should not be used to "rough-in" equipment.

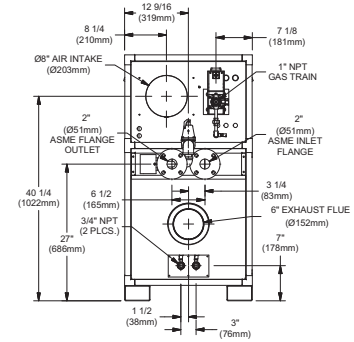
* Add circulator amps.

** For incoming gas pressures lower than 2" W.C. natural or propane, consult factory.

INDOOR UNIT



BOTTOM VIEW



BACK VIEW

RSUB-55-J

A.G.A. CERTIFIED RATINGS & CAPACITIES

Fuel Type	Natural/Propane Gas	Boiler FLA	4.9*
Input BTU/hr.	500,000 / 147 kW	Min. Gas Pressure Required	2" W.C.**
Output BTU/hr.	435,000 / 127 kW	Max. Gas Pressure Allowed	14" W.C.
Electrical Requirements	120VAC/ 1 ph/ 60 hz	Operating Weight	424 lbs. / 192 kg.

TEMPERATURE RISE / PRESSURE DROP

20° F / 11.1° C				25° F / 13.9° C			
Flow Rate		Pressure Drop		Flow Rate		Pressure Drop	
GPM	L/s	Ft	kPa	GPM	L/s	Ft	kPa
43.5	2.7	0.55	1.6	34.8	2.2	0.36	1.1

BOILER TRIM & CONTROLS

Main Gas Valve	Dungs MBC-SE	Air Switch	Cleveland NS2
Firing Valve	1"	Blower Motor	Fasco 1/2 hp - FLA 1.8
Ignition Control	Honeywell RM7895C	Relief Valve - MW	3/4" x 3/4" set @ 125 psi
Operating Control	HeatNet™	Relief Valve - MB	3/4" x 3/4" set @ 50 psi
High Limit	Jumo	Flow Switch	ITT FS251
Main Ball Valve	1"	Solenoid Valve w/ Reg	CV100

A.S.M.E.

ASME Sect IV Htg Surface	69.51 Sq. Ft. / 6.46 Sq. M.	Design Data	Max. 160 psig & 250° F
Water Volume	3.4 gal / 12.87 l (liters)		

RECOVERY CAPACITY

40°F	22° C	60°F	33° C	80°F	44° C	100°F	56° C	120°F	67° C	140°F	78° C
1306	4942	870	3295	653	2471	522	1977	435	1647	373	1412

REP FIRM _____

SUBMITTED BY _____

JOB NAME _____

ARCHITECT _____

ENGINEER _____

CONTRACTOR _____

DATE _____

FUTERA III 500

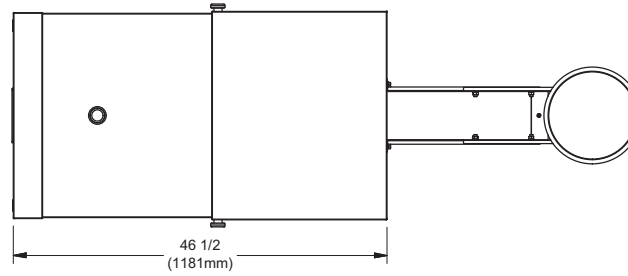
Category II or Category IV Appliance

(see Installation and Operation Manual for venting information)



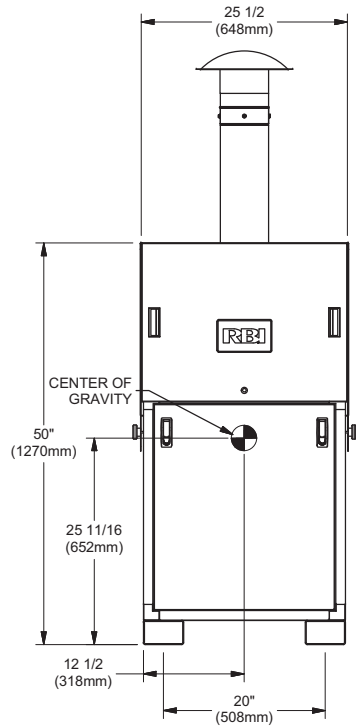
A Division of Mestek, Inc.
Westfield, MA 01085
(413) 568-9571

OUTDOOR UNIT

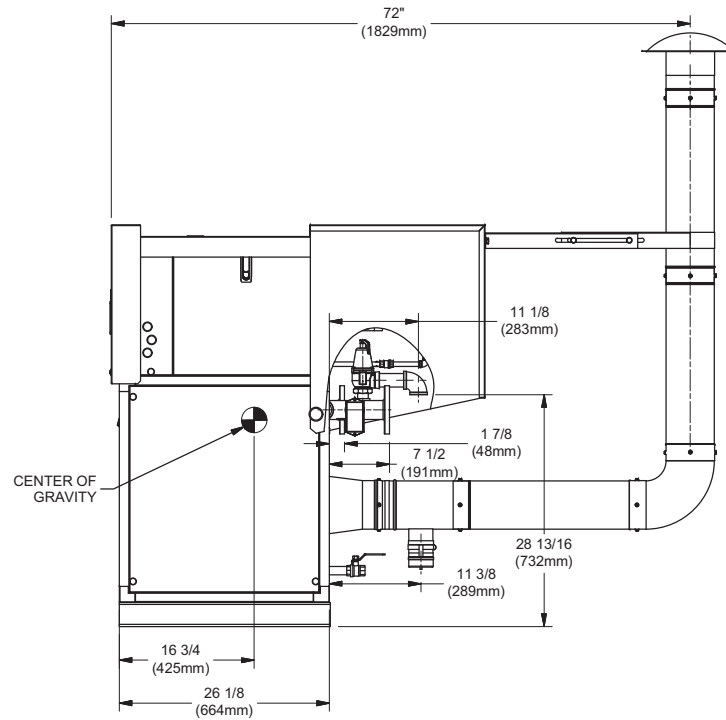


46 1/2
(1181mm)

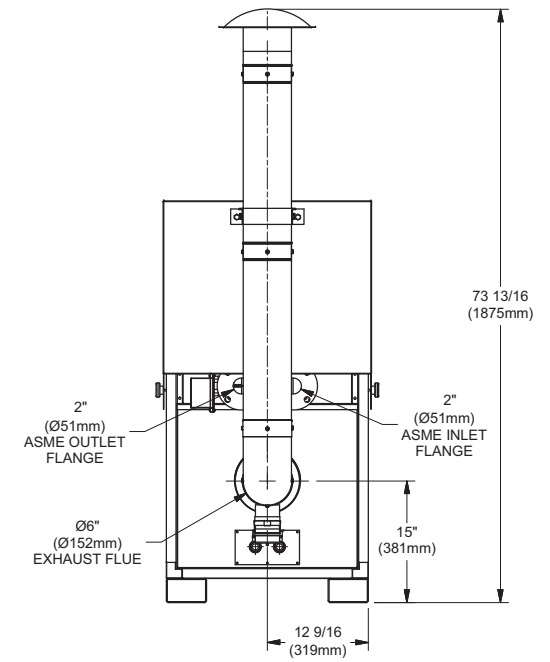
TOP VIEW



FRONT VIEW



SIDE VIEW



BACK VIEW

NOTE:
DIMENSIONS ARE SUBJECT TO CHANGE WITHOUT NOTICE.

RSUB-110-A

FUTERA III 500