

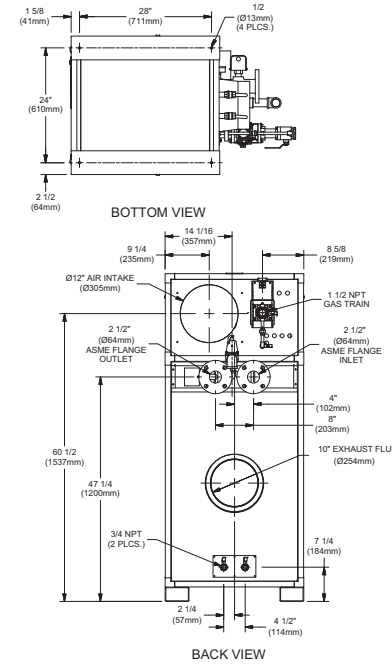
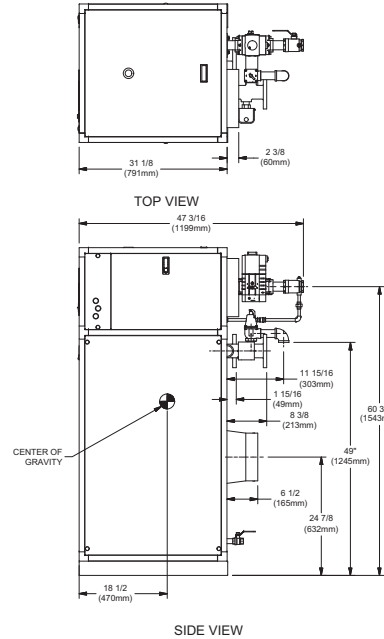
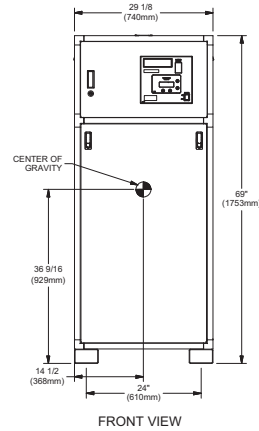
CODE OPTIONS

CSD-1	Manual Reset LWCO
Kentucky	200°F Maximum Operating Control and High Limit

NOTE: Dimensions are approximate and should not be used to "rough-in" equipment.

* Add circulator amps.
 ** For incoming gas pressures lower than 2" W.C. natural or propane, consult factory.

INDOOR UNIT



RSUB-61-J

A.G.A. CERTIFIED RATINGS & CAPACITIES

Fuel Type	Natural/Propane Gas	Boiler FLA	11.5*
Input BTU/hr.	1,999,000 / 586 kW	Min. Gas Pressure Required	2" W.C.**
Output BTU/hr.	1,739,130 / 510 kW	Max. Gas Pressure Allowed	14" W.C.
Electrical Requirements	120VAC/ 1 ph/ 60 hz/ 13 amp	Operating Weight	823 lbs. / 374 kg.

TEMPERATURE RISE / PRESSURE DROP

25° F / 13.9° C		30° F / 16.7° C		35° F / 19.4° C							
Flow Rate	Pressure Drop	Flow Rate	Pressure Drop	Flow Rate	Pressure Drop						
GPM	L/s	Ft	kPa	GPM	L/s	Ft	kPa	GPM	L/s	Ft	kPa
139.2	8.8	5.63	16.6	116.0	7.3	4.01	11.8	99.4	6.3	3.02	8.9

BOILER TRIM & CONTROLS

Main Gas Valve	Dungs MBC-SE	Air Switch	Cleveland NS2
Firing Valve	1 1/2"	Blower Motor	Fasco 1 hp - FLA 3.0
Ignition Control	Honeywell RM7895C	Relief Valve - MW	3/4" x 3/4" set @ 125 psi
Operating Control	HeatNet™	Relief Valve - MB	1" x 1 1/4" set @ 50 psi
High Limit	Jumo	Flow Switch	ITT FS251
Main Ball Valve	1 1/2"	Solenoid Valve w/ Reg	CV100

A.S.M.E.

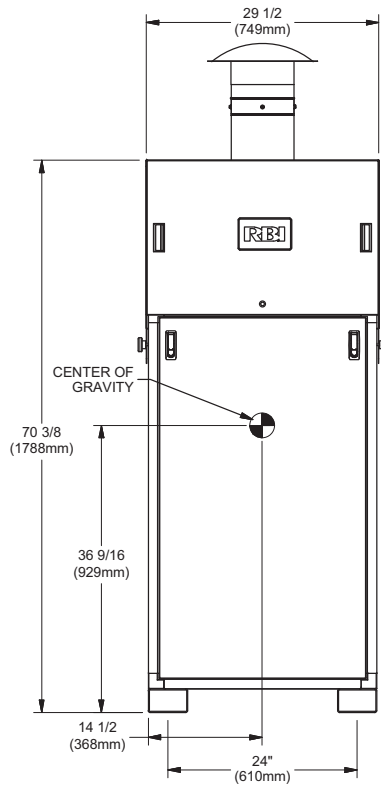
ASME Sect IV Htg Surface	215.98 Sq. Ft. / 20.06 Sq. M.	Design Data	Max. 160 psig & 250° F
Water Volume	5.7 gal / 21.58 l (liters)		

RECOVERY CAPACITY

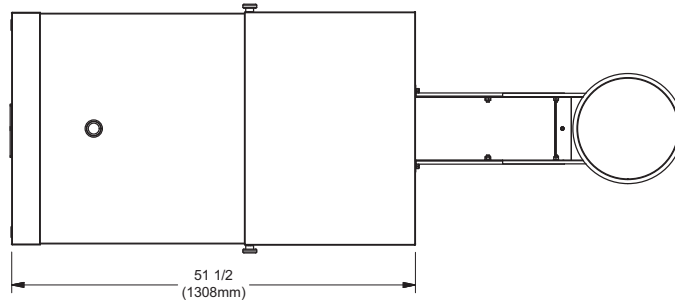
40°F	22° C	60°F	33° C	80°F	44° C	100°F	56° C	120°F	67° C	140°F	78° C
5219	19758	3480	13172	2610	9879	2088	7903	1740	6586	1491	5645

REP FIRM	_____	<h2 style="margin: 0;">FUTERA III 2000</h2> <p style="margin: 0;">Category II or Category IV Appliance</p> <p style="margin: 0;">(see Installation and Operation Manual for venting information)</p> <div style="display: flex; align-items: center; justify-content: center;"> <div style="text-align: left;"> <p>A Division of Mestek, Inc. Westfield, MA 01085 (413) 568-9571</p> </div> </div>
SUBMITTED BY	_____	
JOB NAME	_____	
ARCHITECT	_____	
ENGINEER	_____	
CONTRACTOR	_____	
DATE	_____	

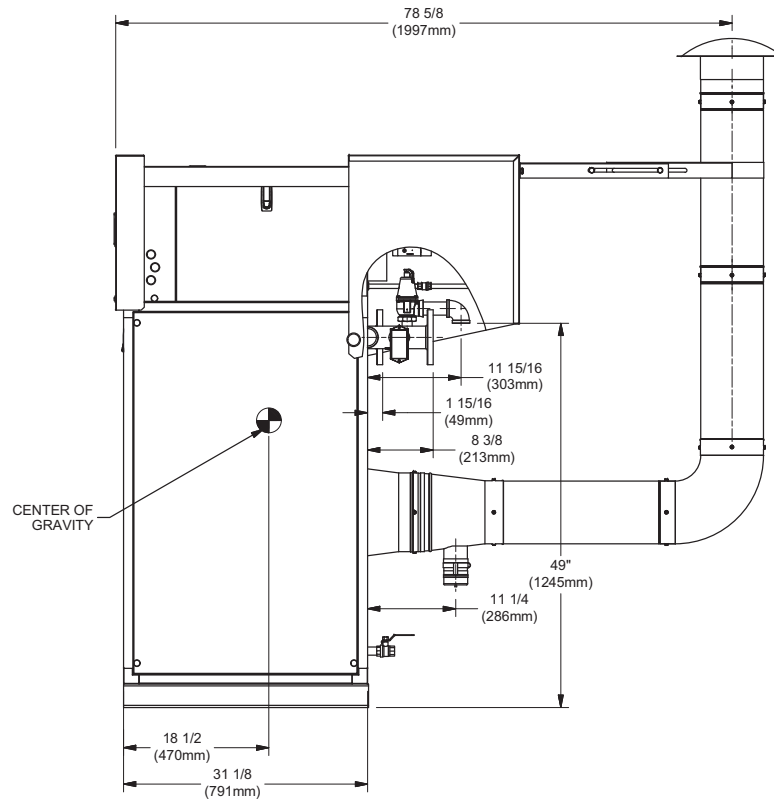
OUTDOOR UNIT



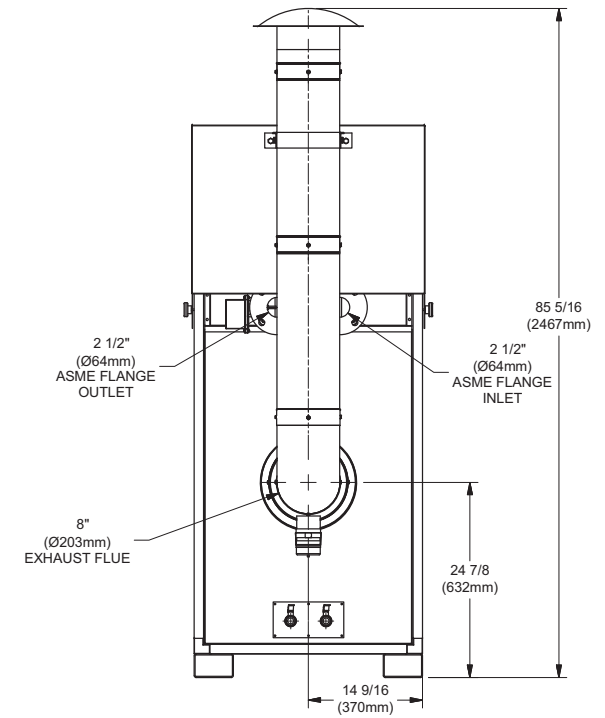
FRONT VIEW



TOP VIEW



SIDE VIEW



BACK VIEW

NOTE:
DIMENSIONS ARE SUBJECT TO CHANGE WITHOUT NOTICE.

RSUB-116-A

FUTERA III 2000