

### CODE OPTIONS

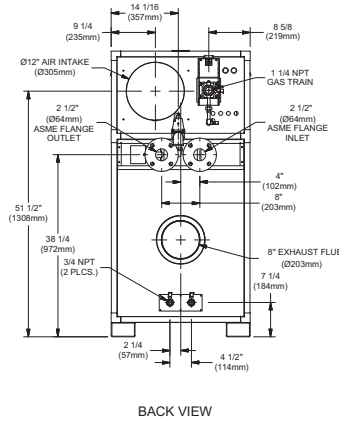
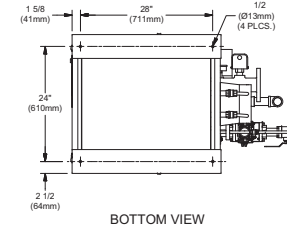
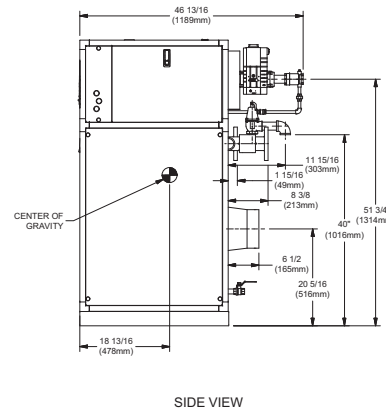
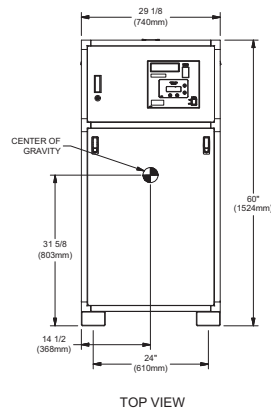
<b>CSD-1</b>	Manual Reset LWCO
<b>Kentucky</b>	200°F Maximum Operating Control and High Limit

**NOTE:** Dimensions are approximate and should not be used to "rough-in" equipment.

\* Add circulator amps.

\*\* For incoming gas pressures lower than 2" W.C. natural or propane, consult factory.

# INDOOR UNIT



RSUB-59-J

### A.G.A. CERTIFIED RATINGS & CAPACITIES

<b>Fuel Type</b>	Natural/Propane Gas	<b>Boiler FLA</b>	10.7*
<b>Input BTU/hr.</b>	1,500,000 / 440 kW	<b>Min. Gas Pressure Required</b>	2" W.C.**
<b>Output BTU/hr.</b>	1,305,000 / 382 kW	<b>Max. Gas Pressure Allowed</b>	14" W.C.
<b>Electrical Requirements</b>	120VAC/ 1 ph/ 60 hz/ 10 amp	<b>Operating Weight</b>	683 lbs. / 310 kg.

### TEMPERATURE RISE / PRESSURE DROP

20° F / 11.1° C		25° F / 13.9° C		30° F / 16.7° C		35° F / 19.4° C									
Flow Rate	Pressure Drop	Flow Rate	Pressure Drop	Flow Rate	Pressure Drop	Flow Rate	Pressure Drop								
GPM	L/s	Ft	kPa	GPM	L/s	Ft	kPa	GPM	L/s	Ft	kPa				
130.5	8.2	3.73	11.0	104.4	6.6	2.46	7.3	87.0	5.5	1.76	5.2	74.6	4.7	1.32	3.9

### BOILER TRIM & CONTROLS

<b>Main Gas Valve</b>	Dungs MBC-SE	<b>Air Switch</b>	Cleveland NS2
<b>Firing Valve</b>	1 1/4"	<b>Blower Motor</b>	Fasco 1 hp - FLA 2.5
<b>Ignition Control</b>	Honeywell RM7895C	<b>Relief Valve - MW</b>	3/4" x 3/4" set @ 125 psi
<b>Operating Control</b>	HeatNet™	<b>Relief Valve - MB</b>	1" x 1 1/4" set @ 50 psi
<b>High Limit</b>	Jumo	<b>Flow Switch</b>	ITT FS251
<b>Main Ball Valve</b>	1 1/4"	<b>Solenoid Valve w/ Reg</b>	CV100

### RECOVERY CAPACITY

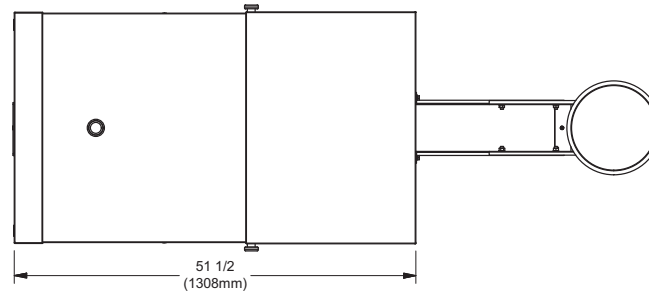
40°F	22° C	60°F	33° C	80°F	44° C	100°F	56° C	120°F	67° C	140°F	78° C
3917	14826	2611	9884	1958	7413	1567	5930	1306	4942	1119	4236

### A.S.M.E.

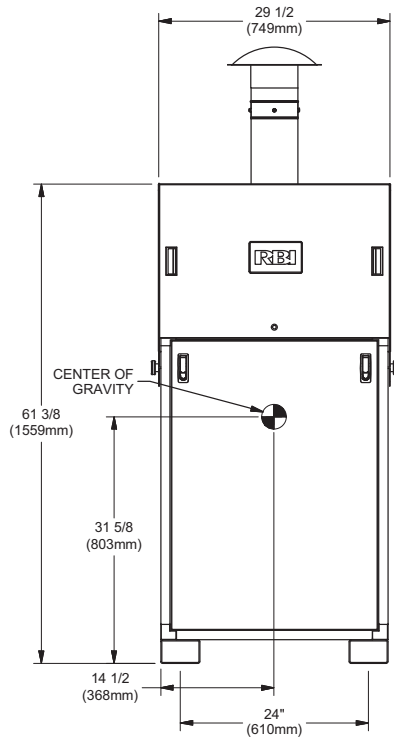
<b>ASME Sect IV Htg Surface</b>	161.16 Sq. Ft. / 14.97 Sq. M.	<b>Design Data</b>	Max. 160 psig & 250° F
<b>Water Volume</b>	5 gal / 18.93 l (liters)		

<b>REP FIRM</b>	_____	<h1 style="margin: 0;">FUTERA III 1500</h1> <p style="margin: 0;"><b>Category II or Category IV Appliance</b></p> <p style="margin: 0;">(see Installation and Operation Manual for venting information)</p> <div style="display: flex; align-items: center; justify-content: center;"> <div style="text-align: left;"> <p>A Division of Mestek, Inc. Westfield, MA 01085 (413) 568-9571</p> </div> </div>
<b>SUBMITTED BY</b>	_____	
<b>JOB NAME</b>	_____	
<b>ARCHITECT</b>	_____	
<b>ENGINEER</b>	_____	
<b>CONTRACTOR</b>	_____	
<b>DATE</b>	_____	

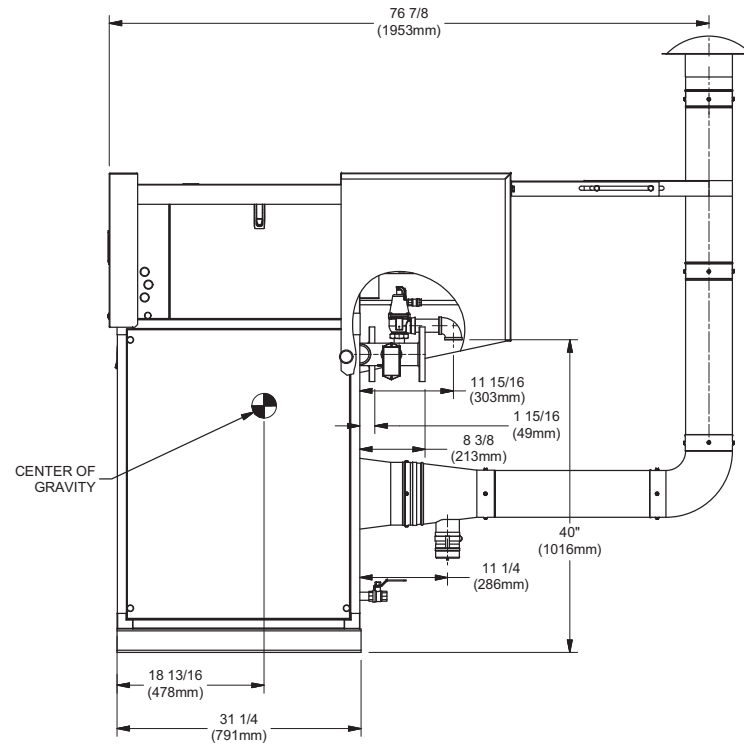
# OUTDOOR UNIT



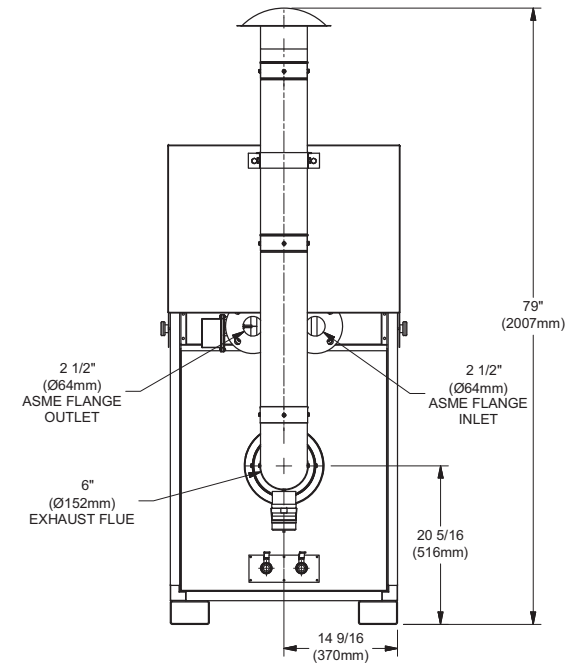
TOP VIEW



FRONT VIEW



SIDE VIEW



BACK VIEW

NOTE:  
DIMENSIONS ARE SUBJECT TO CHANGE WITHOUT NOTICE.

RSUB-114-A

**FUTERA III 1500**