

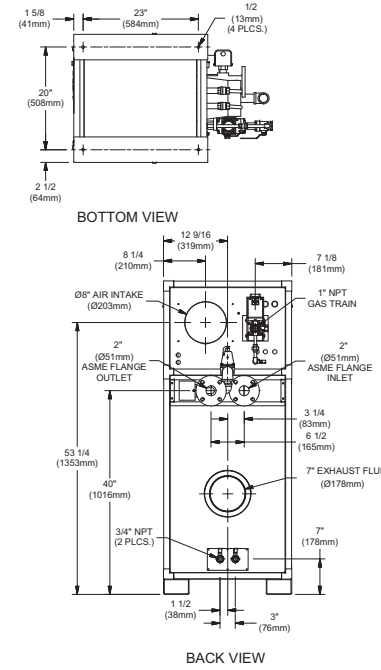
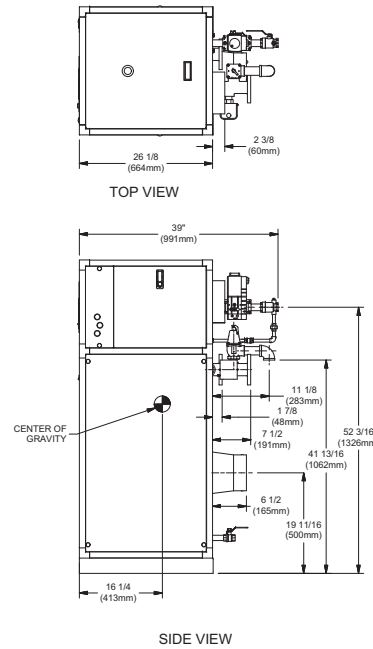
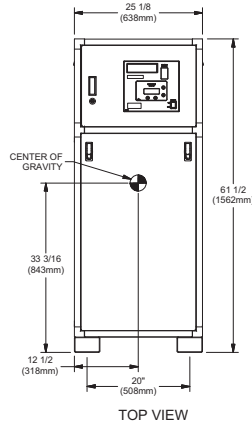
CODE OPTIONS

CSD-1	Manual Reset LWCO
Kentucky	200°F Maximum Operating Control and High Limit

NOTE: Dimensions are approximate and should not be used to "rough-in" equipment.

* Add circulator amps.
 ** For incoming gas pressures lower than 2" W.C. natural or propane, consult factory.

INDOOR UNIT



RSUB-57-J

A.G.A. CERTIFIED RATINGS & CAPACITIES

Fuel Type	Natural/Propane Gas	Boiler FLA	7.0*
Input BTU/hr.	1,000,000 / 293 kW	Min. Gas Pressure Required	2" W.C.**
Output BTU/hr.	870,000 / 255 kW	Max. Gas Pressure Allowed	14" W.C.
Electrical Requirements	120VAC/ 1 ph/ 60 hz	Operating Weight	564 lbs. / 256 kg.

TEMPERATURE RISE / PRESSURE DROP

20° F / 11.1° C		25° F / 13.9° C		30° F / 16.7° C		35° F / 19.4° C									
Flow Rate	Pressure Drop	Flow Rate	Pressure Drop	Flow Rate	Pressure Drop	Flow Rate	Pressure Drop								
GPM	L/s	Ft	kPa	GPM	L/s	Ft	kPa	GPM	L/s	Ft	kPa				
87.0	5.5	3.59	10.6	69.6	4.4	2.37	7.0	58.0	3.7	1.69	5.0	49.7	3.1	1.27	3.8

BOILER TRIM & CONTROLS

Main Gas Valve	Dungs MBC-SE	Air Switch	Cleveland NS2
Firing Valve	1 1/4"	Blower Motor	Fasco 1/2 hp - FLA 2.3
Ignition Control	Honeywell RM7895C	Relief Valve - MW	3/4" x 3/4" set @ 125 psi
Operating Control	HeatNet™	Relief Valve - MB	3/4" x 3/4" set @ 50 psi
High Limit	Jumo	Flow Switch	ITT FS251
Main Ball Valve	1 1/4"	Solenoid Valve w/ Reg	CV100

RECOVERY CAPACITY

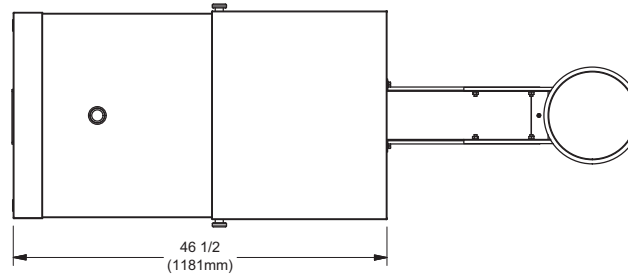
40°F	22° C	60°F	33° C	80°F	44° C	100°F	56° C	120°F	67° C	140°F	78° C
2611	9884	1741	6589	1306	4942	1044	3954	870	3295	746	2824

A.S.M.E.

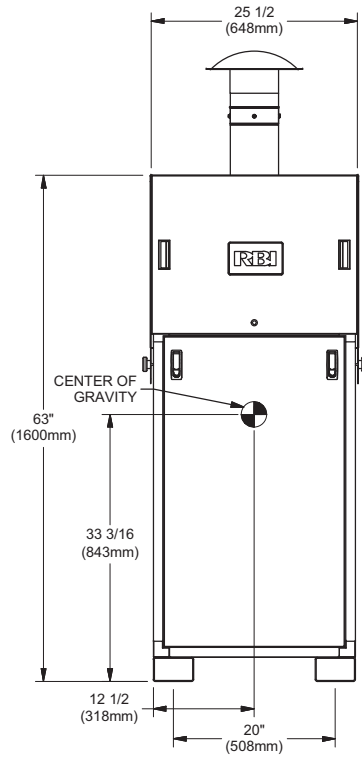
ASME Sect IV Htg Surface	126.07 Sq. Ft. / 11.71 Sq. M.	Design Data	Max. 160 psig & 250° F
Water Volume	4 gal / 15.14 l (liters)		

REP FIRM	_____	<p>FUTERA III 1000</p> <p>Category II or Category IV Appliance</p> <p>(see Installation and Operation Manual for venting information)</p>  <p>A Division of Mestek, Inc. Westfield, MA 01085 (413) 568-9571</p>
SUBMITTED BY	_____	
JOB NAME	_____	
ARCHITECT	_____	
ENGINEER	_____	
CONTRACTOR	_____	
DATE	_____	

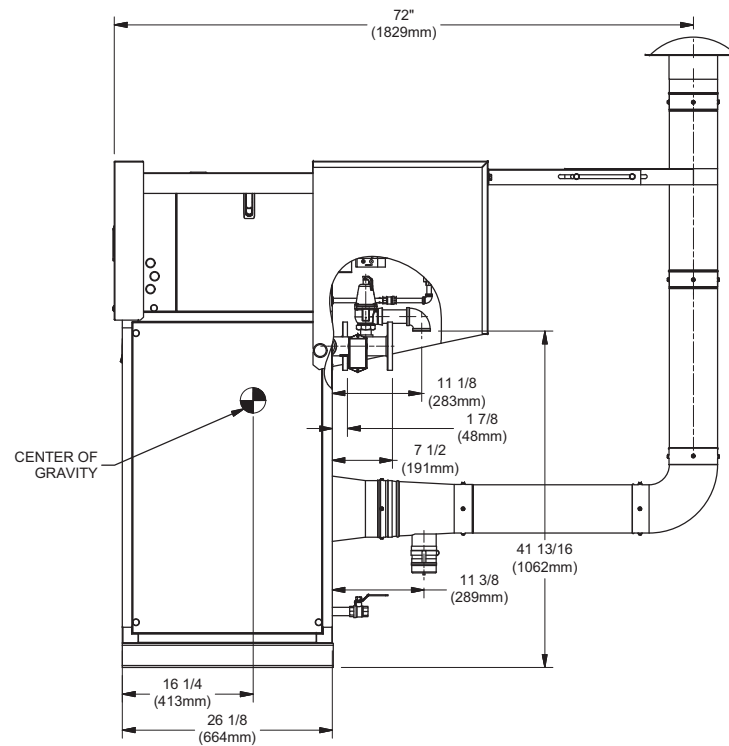
OUTDOOR UNIT



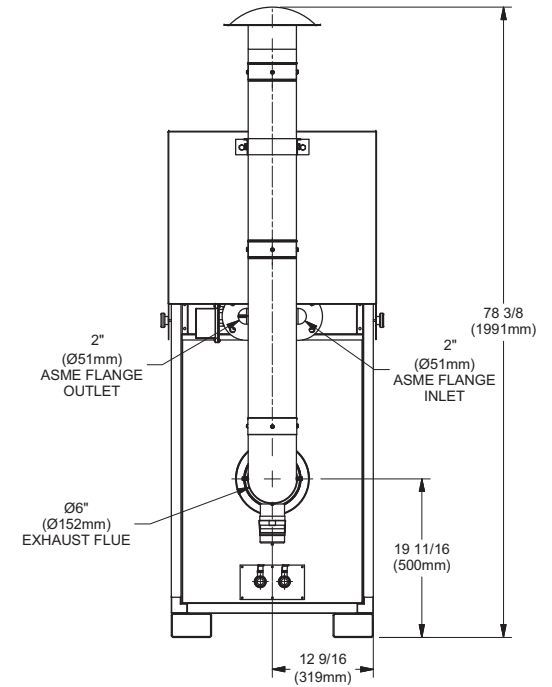
TOP VIEW



FRONT VIEW



SIDE VIEW



BACK VIEW

NOTE:
DIMENSIONS ARE SUBJECT TO CHANGE WITHOUT NOTICE.

RSUB-112-A

FUTERA III 1000