

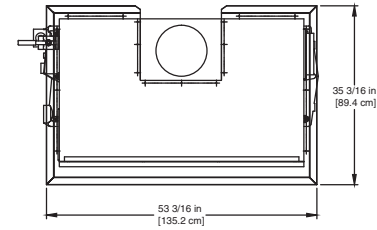
CODE OPTIONS

CSD-1	UTC Lockout/Reset Control Manual Reset LWCO
Kentucky (Water Htr Only)	200°F Maximum Operating Control and High Limit

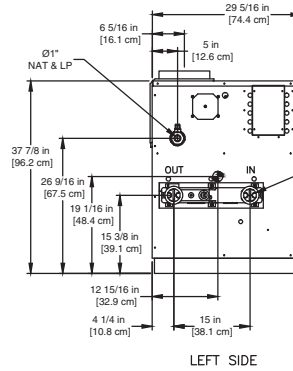
NOTE: Dimensions are approximate and should not be used to "rough-in" equipment.

* Add circulator amps.

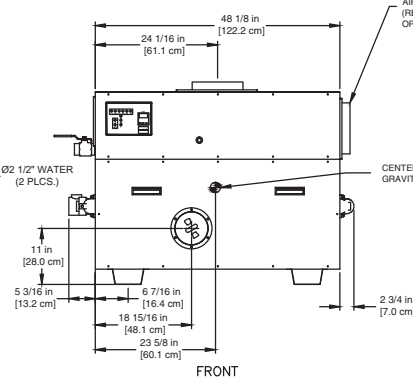
**For incoming gas pressures lower than 7" WC natural or 11" WC propane, consult factory.



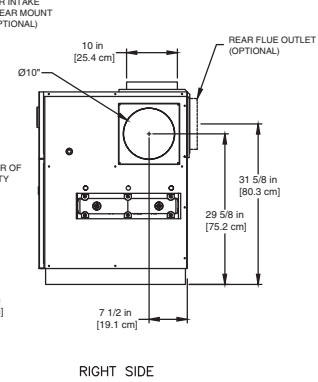
OUTDOOR TOP PANEL



LEFT SIDE



FRONT



RIGHT SIDE

RSUB-31-D

AGA CERTIFIED RATINGS & CAPACITIES

Fuel Type	Natural/Propane Gas	Boiler FLA	5.9*
Input BTU/hr.	900,000 / 264 kW	Min. Gas Pressure Required	6" WC**
Output BTU/hr.	765,000 / 225 kW	Max. Gas Pressure Allowed	14" WC
Electrical Requirements	120VAC/ 1 ph/ 60 hz/ 8 amp	Operating Weight	664 lbs. / 301 kg.

TEMPERATURE RISE / PRESSURE DROP

20°F / 11.1°C		25°F / 13.9°C		30°F / 16.7°C		35°F / 19.4°C									
Flow Rate	Pressure Drop	Flow Rate	Pressure Drop	Flow Rate	Pressure Drop	Flow Rate	Pressure Drop								
GPM	L/s	Ft	kPa	GPM	L/s	Ft	kPa	GPM	L/s	Ft	kPa				
76.6	4.8	2.25	6.6	61.3	3.9	1.49	4.4	51.1	3.2	1.06	3.1	43.8	2.8	0.80	2.4

BOILER TRIM & CONTROLS

Main Gas Valve	Honeywell V8944 1"	Pilot Valve	Honeywell VR8205
Firing Valve	Honeywell B200T1033 1"	Air Switch	Cleveland RSS-495
Safety Valve	ASCO L8214G 1"	Blower Motor	1/4 hp - FLA 5.1
Ignition Control	UTC 1003-61A	Relief Valve - DW	3/4" x 3/4" set @ 125 psi
Operating Control	Tekmar BTC-2PA	Relief Valve - DB	3/4" x 3/4" set @ 50 psi
High Limit	Honeywell L4008E	Flow Switch	TACO IFS-1

RECOVERY CAPACITY

40°F	22°C	60°F	33°C	80°F	44°C	100°F	56°C	120°F	67°C	140°F	78°C
2296	8691	1531	5794	1148	4346	918	3476	765	2897	656	2483

ASME

ASME Sect IV Htg Surface	90.0 Sq. Ft. / 8.36 Sq. M.	Design Data	Max. 160 psig & 250°F
Water Volume	4.08 gal / 15.4 l (liters)		

REP FIRM	_____	<h1 style="margin: 0;">DOMINATOR 900</h1> <p style="margin: 0;">Category I or Category III Appliance</p> <p style="margin: 0;">(See Installation and Operation Manual for venting information)</p>
SUBMITTED BY	_____	
JOB NAME	_____	
ARCHITECT	_____	
ENGINEER	_____	
CONTRACTOR	_____	
DATE	_____	

® A Division of Mestek, Inc.
Westfield, MA 01085
(413) 568-9571