

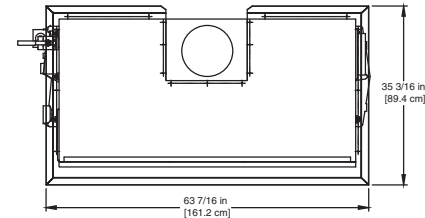
CODE OPTIONS

CSD-1	UTC Lockout/Reset Control Manual Reset LWCO
Kentucky (Water Htr Only)	200°F Maximum Operating Control and High Limit

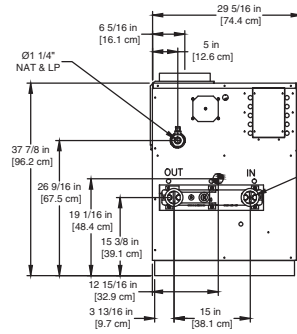
NOTE: Dimensions are approximate and should not be used to "rough-in" equipment.

* Add circulator amps.

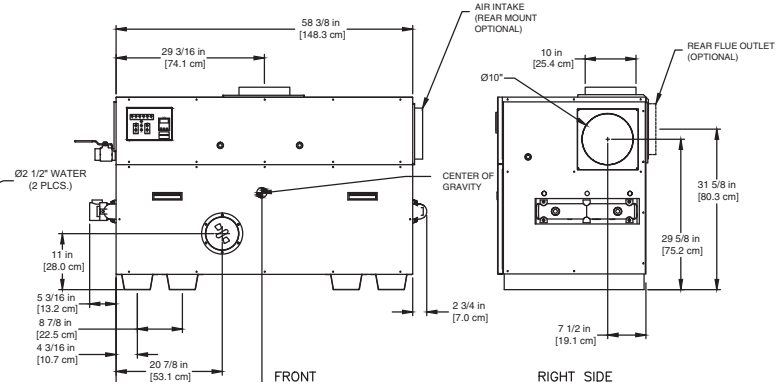
**For incoming gas pressures lower than 7" WC natural or 11" WC propane, consult factory.



OUTDOOR TOP PANEL



LEFT SIDE



FRONT

RIGHT SIDE

RSUB-32-D

AGA CERTIFIED RATINGS & CAPACITIES

Fuel Type	Natural/Propane Gas	Boiler FLA	11.0*
Input BTU/hr.	1,050,000 / 308 kW	Min. Gas Pressure Required	6" WC**
Output BTU/hr.	892,500 / 262 kW	Max. Gas Pressure Allowed	14" WC
Electrical Requirements	120VAC/ 1 ph/ 60 hz/ 14 amp	Operating Weight	772 lbs. / 350 kg.

TEMPERATURE RISE / PRESSURE DROP

20°F / 11.1°C		25°F / 13.9°C		30°F / 16.7°C		35°F / 19.4°C									
Flow Rate	Pressure Drop	Flow Rate	Pressure Drop	Flow Rate	Pressure Drop	Flow Rate	Pressure Drop								
GPM	L/s	Ft	kPa	GPM	L/s	Ft	kPa	GPM	L/s	Ft	kPa				
89.4	5.6	3.66	10.8	71.5	4.5	2.42	7.1	59.6	3.8	1.73	5.1	51.1	3.2	1.30	3.8

BOILER TRIM & CONTROLS

Main Gas Valve	Honeywell (2) V8944 1"	Pilot Valve	Honeywell VR8205
Firing Valve	Honeywell (2) B200T1033 1"	Air Switch	Cleveland RSS-495
Safety Valve	ASCO L8214G 1-1/4"	Blower Motor	(2) 1/4 hp - FLA 10.2
Ignition Control	UTC 1003-61A	Relief Valve - DW	3/4" x 3/4" set @ 125 psi
Operating Control	Tekmar BTC-2PA	Relief Valve - DB	3/4" x 3/4" set @ 50 psi
Operating Control	Tekmar BTC-4PA	Flow Switch	TACO IFS-1
High Limit	Honeywell L4008E		

RECOVERY CAPACITY

40°F	22°C	60°F	33°C	80°F	44°C	100°F	56°C	120°F	67°C	140°F	78°C
2679	10140	1786	6760	1339	5070	1071	4056	893	3380	765	2897

ASME

ASME Sect IV Htg Surface	110.0 Sq. Ft. / 10.22 Sq. M.	Design Data	Max. 160 psig & 250°F
Water Volume	4.44 gal / 16.8 l (liters)		

REP FIRM _____
SUBMITTED BY _____
JOB NAME _____
ARCHITECT _____
ENGINEER _____
CONTRACTOR _____
DATE _____

DOMINATOR 1050

Category I or Category III Appliance
(See Installation and Operation Manual for venting information)

® A Division of Mestek, Inc.
 Westfield, MA 01085
 (413) 568-9571