

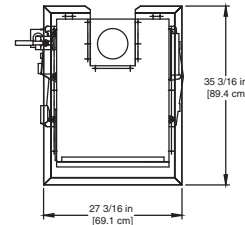
CODE OPTIONS

CSD-1	UTC Lockout/Reset Control Manual Reset LWCO
Kentucky (Water Htr Only)	200°F Maximum Operating Control and High Limit

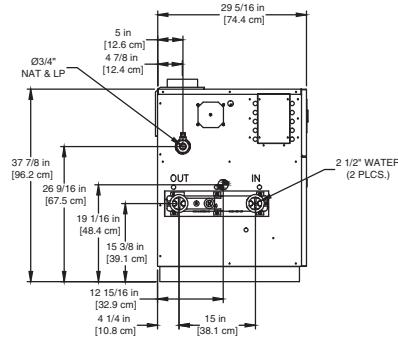
NOTE: Dimensions are approximate and should not be used to "rough-in" equipment.

* Add circulator amps.

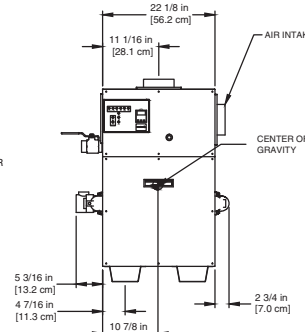
**For incoming gas pressures lower than 7" WC natural or 11" WC propane, consult factory.



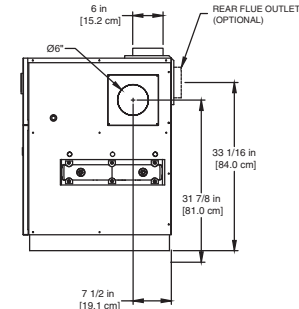
OUTDOOR TOP PANEL



LEFT SIDE



FRONT



RIGHT SIDE

RSUB-27-D

AGA CERTIFIED RATINGS & CAPACITIES

Fuel Type	Natural/Propane Gas	Boiler FLA	3.8*
Input BTU/hr.	300,000 / 88 kW	Min. Gas Pressure Required	6" WC**
Output BTU/hr.	250,500 / 73 kW	Max. Gas Pressure Allowed	14" WC
Electrical Requirements	120VAC/ 1 ph/ 60 hz/ 6 amp	Operating Weight	416 lbs. / 189 kg.

TEMPERATURE RISE / PRESSURE DROP

15°F / 8.3°C		20°F / 11.1°C		25°F / 13.9°C							
Flow Rate	Pressure Drop	Flow Rate	Pressure Drop	Flow Rate	Pressure Drop						
GPM	L/s	Ft	kPa	GPM	L/s	Ft	kPa	GPM	L/s	Ft	kPa
33.0	2.1	0.21	0.6	25.1	1.6	0.12	0.4	20.0	1.3	0.08	0.2

BOILER TRIM & CONTROLS

Main Gas Valve	Honeywell VR8304 3/4"	Pilot Valve	Honeywell VR8304
Firing Valve	Honeywell B200T1025 3/4"	Air Switch	Cleveland RSS-495
Ignition Control	UTC 1003-61A	Blower Motor	1/5 hp - FLA 3.0
High Limit	Honeywell L4008E	Relief Valve - DW	3/4" x 3/4" set @ 125 psi
		Relief Valve - DB	3/4" x 3/4" set @ 50 psi
		Flow Switch	TACO IFS-1

RECOVERY CAPACITY

40°F	22°C	60°F	33°C	80°F	44°C	100°F	56°C	120°F	67°C	140°F	78°C
752	2846	501	1897	376	1423	301	1138	251	949	215	813

ASME

ASME Sect IV Htg Surface	38.0 Sq. Ft. / 3.53 Sq. M.	Design Data	Max. 160 psig & 250°F
Water Volume	3.48 gal / 13.2 l (liters)		

REP FIRM	_____	<h1 style="margin: 0;">DOMINATOR 300</h1> <p style="margin: 0;">Category I or Category III Appliance</p> <p style="margin: 0;">(See Installation and Operation Manual for venting information)</p>
SUBMITTED BY	_____	
JOB NAME	_____	
ARCHITECT	_____	
ENGINEER	_____	
CONTRACTOR	_____	
DATE	_____	

® A Division of Mestek, Inc.
Westfield, MA 01085
(413) 568-9571